

LED-BP-COLD Series

Field & Factory Installable Cold Weather Emergency LED Battery Pack (18W) | 5-YEAR WARRANTY*

FLEXIBLE CONDUIT MODEL



LED-BP-COLD-18W

FEATURES

- UL924 Listed
- IP66 rating, outdoor and damp rated
- Able to withstand extremely low temperatures (-40°C to 50°C / -40°F to 122°F)
- Converts LED luminaires into approved emergency lights for 90 minutes.
- Constant power output with automatic overload and low battery protection
- Automatic Voltage Detection: can be used with LED drivers/luminaires operating from 10V-400VDC, depending on model
- 120-277Vac Universal Input
- LED Test Switch Note: IP66 version test switch available
- 120-277VAC Universal Input
- Li-Ion batteries provide long life and are maintenance-free
- 5-Year Warranty
- Self-diagnostics
- Can be mounted inside or outside of the luminaire
- Unique feature: flexible conduit can be removed to expose wire leads if installation requirements change

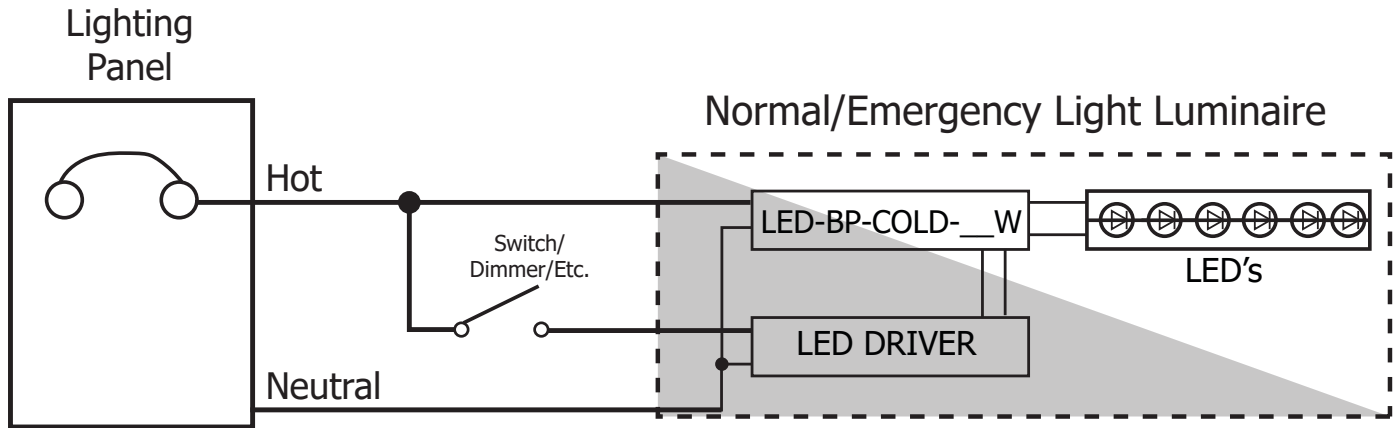


APPLICATION

MYERS EPS' LED-BP-COLD Series battery packs allow users to convert normal LED luminaires into approved emergency lighting luminaires. With the slimmest and lowest profile in the industry, these units can be mounted inside or outside of the luminaire.

During emergency operation, LED-BP-COLD automatically transfers to battery power. The automatic voltage detection circuit matches the output voltage to your specific LED fixture, and runs it at constant power/light output for a minimum of 90 minutes. When AC power is restored, the emergency LED-BP-COLD Series switches the system back to normal mode of operation and resumes battery charging. The LED-BP-COLD battery packs are able to operate at low temperatures during normal and emergency situations. These cold-weather battery packs have been created with an internal heating element and temperature controlled circuitry that keeps the system from freezing.

SINGLE LINE DRAWING



SPECIFICATIONS

FOR FLEXIBLE CONDUIT MODELS:

MODEL NO	INPUT VOLTAGE	OUTPUT VOLTAGE (VDC)	OUTPUT POWER (WATTS)	DIMENSIONS L x W x H (INCHES)	TEMP. (°C)	WARRANTY
LED-BP-COLD-18W	120/277V AC 50/60 Hz	20-300	18	15.55 x 1.97 x 1.18	-40~50	5-Year replacement warranty